

CBD 36-52 kV Centre-break disconnect



HV Switching

We know how

Our range of centre-break disconnectors is designed to ensure the best performances and reliability, which are the result of our 70-year old experience.

Over 100,000 disconnectors installed in more than 100 countries worldwide are the guarantee of best-buys.

The CBD 36-52 kV centre-break disconnector

The CBD 36-52 kV centre-break disconnector consists of two hard-drawn aluminium arms, bolted at the top of two rotating insulators.

Both rotary and main contacts are made of silver plated copper (number of fingers and silver thickness depend on the rated current); also cylindrical terminals are made of copper.

The base frame, provided with two rotary supports, is made of hot-dip galvanized steel profiles. Bearings are suitably protected to ensure maintenance-free operation for the whole life of the equipment.

The insulators comply with either IEC or ANSI standards; special heights and creepage distances are also available upon request.

Integrated earthing switches are available for mounting on each or both side of the pole.

The three poles are usually operated simultaneously, either manual or electrically, by a single operating mechanism.

Upon request, the equipment can be fitted with special devices to switch small currents; suitable shields, where needed, are also available to operate under severe ice conditions (up to 20 mm).

Like all our models, the CBD meets the latest international standards (IEC, ANSI) and it can also be customised according to clients' particular specifications.

The whole design and manufacturing process is ruled by ISO 9001 certified procedures, to guarantee perfect performance reproducibility from type-testing to series production.

Due to lifetime greased (or self-lubricated) hinges and to self-wiping contacts, the maintenance of the CBD is ensured by its motion. The use of corrosion-free (or coated) materials for all components ensures exceptional reliability for many years of service. The mechanical endurance performance exceeds IEC standard requirements.

Ratings and dimensions

The values in the table refer to IEC standards only.

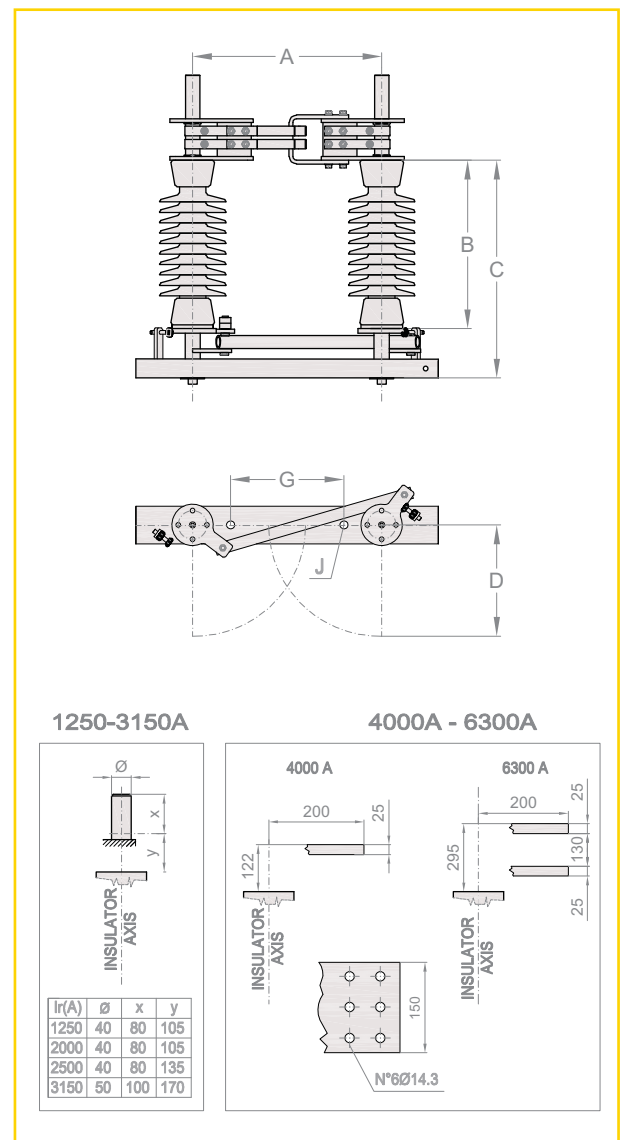
Rated voltage		U_r (kV)	36	52
Rated power-frequency withstand voltage	TE	U_d (kV)	70	95
	AID	U_d (kV)	80	110
Rated lightning impulse withstand voltage	TE	U_p (kV _p)	170	250
	AID	U_p (kV _p)	195	290

TE: To Earth

AID: Across the Isolating Distance

Rated continuous current	I_r (A)	up to 6300 (depending on rated voltage)
Rated short-time withstand current	I_k (kA)	up to 40 / 3s (depending on rated current)
Rated peak withstand current	I_p (kA _p)	up to 103 (depending on rated current)

Dimensions (mm)	A	500	700
B	445	560	
C	570	685	
D	~300	~400	
G	300	500	
J	2 \varnothing 22	2 \varnothing 22	



COELME

Via G. Galilei, 1/2 - 30036 Santa Maria di Sala (VE) - Italia
Tel.: +39 041 486022 - Fax: +39 041 486909

E-Mail: contact@coelme-egic.com, www.coelme-egic.com



EGIC

60b, rue L. et R. Desgrand - 69625 Villeurbanne CEDEX - France
Tel.: +33 4 72 66 20 70 - Fax: +33 4 72 39 08 65

E-Mail: contact@coelme-egic.com, www.coelme-egic.com

